

WAN Protocol

- IPv4 Ethernet WAN
 - DHCP Client • Static IP • PPPoE
 - PPTP • L2TP
 - 802.1p/q Multi-VLAN Tagging (Multi-VLAN)
- USB WAN
 - PPP
- IPv6 Ethernet WAN
 - Tunnel Mode: PPP, TSPC, AICCU, 6rd*
 - Dual Stack: DHCPv6 Client, Static IPv6 Client, DSLite*

Multi-WAN

- Outbound Policy-based Load-balance
- WAN Connection Failover
- WAN Budgets

NAT Session

- 50,000

Switch

- Port-based VLAN
- Triple-Play Application
 - IGMP Snooping
 - Tag-based (802.1q) VLAN
 - Layer-2 (802.1p) QoS

USB

- 3.5G (HSDPA) as WAN
- Printer Sharing
- File System :
 - Support FAT32 File System
 - Support FTP Function for File Sharing
 - Support Samba for File Sharing

VPN

- Up to 50 VPN Tunnels
- Protocol : PPTP, IPsec, L2TP, L2TP over IPsec
- Encryption : MPPE and Hardware-based AES/DES/3DES
- Authentication : MD5, SHA-1
- IKE Authentication : Pre-shared Key and Digital Signature (X.509)
- LAN-to-LAN, Teleworker-to-LAN
- DHCP over IPsec
- IPsec NAT-traversal (NAT-T)
- Dead Peer Detection (DPD)
- VPN Pass-through
- VPN Wizard
- mOTP
- SSL VPN: 10 Tunnels
- SSL VPN Proxy
- VPN Backup Mode & Load-balancing

Bandwidth Management

- QoS :
 - Guarantee Bandwidth for VoIP
 - Class-based Bandwidth Guarantee by User-defined Traffic Categories
 - DiffServ Code Point Classifying
 - 4-level Priority for Each Direction (Inbound /Outbound)
 - Bandwidth Borrowed
- Bandwidth/Session Limitation
- Layer-2 (802.1p) and Layer-3 (TOS/DSCP) QoS Mapping

CSM (Content Security Management)

- IM/P2P Application
- GlobalView Web Content Filter (Powered by comtouch*)
- URL Content Filter :
 - URL Keyword Blocking (Whitelist and Blacklist)
 - Java Applet, Cookies, Active X, Compressed, Executable, Multimedia File Blocking
 - Excepting Subnets

Network Management

- Web-based User Interface (HTTP/HTTPS)
- Quick Start Wizard
- CLI (Command Line Interface, Telnet/SSH)
- Administration Access Control
- Configuration Backup/Restore
- Built-in Diagnostic Function
- Firmware Upgrade via TFTP/FTP/HTTP/TR-069
- Logging via Syslog
- SNMP Management MIB-II
- Management Session Time Out
- 2-level Management (Admin/User Mode)
- TR-069
- TR-104
- LAN Port Monitoring
- Support Smart Monitor (30)
- AP Management*

Wireless AP (n model)

- Support Dual Band 2.4/5G Configurable (Configurable/Not Simultaneous)
- IEEE802.11n Compliant
- Wireless Client List
- Wireless LAN Isolation
- 64/128-bit WEP
- WPA/WPA2
- Hidden SSID
- WPS
- MAC Address Access Control
- Access Point Discovery
- WDS (Wireless Distribution System)
- 802.1x Authentication
- Multiple SSID
- Wireless Rate-control
- IEEE802.11e: WMM (Wi-Fi Multimedia)*
- SSID VLAN Grouping with LAN Port (Port-based VLAN)*

Network Feature

- Packet Forwarding Acceleration*
- DHCP Client/Relay/Server
- IGMP Version 2 and Version 3
- VLAN Tagging (802.1q) on LAN
- Dynamic DNS
- NTP Client
- Call Scheduling
- RADIUS Client
- DNS Cache/Proxy
- UPnP 30 sessions
- Multiple Subnets
- Routing Protocol:
 - Static Routing
 - RIP V2

Firewall

- Multi-NAT, DMZ Host, Port-Redirection and Open Port
- Object-based Firewall
- MAC Address Filter
- SPI (Stateful Packet Inspection) (Flow Track)
- DoS/DDoS prevention
- IP Address Anti-Spoofing
- E-Mail alert and logging via syslog
- Bind IP to MAC Address
- Time Schedule Control
- Firewall v3
- IPv6 Firewall
- User Management

VoIP (V model)

- Protocol: SIP, RTP/RTCP
- 12 SIP Registrars
- G.168 Line Echo-cancellation
- Automatic Gain Control
- Jitter Buffer (180ms)
- Voice codec:
 - G.711 • G.723.1 • G.726
 - G.729 A/B • VAD/CNG • iLBC
- DTMF Tone :
 - Inband • Outband (RFC-2833) • SIP Info
- FAX/Modem Support :
 - Tone Detection • G.711 Pass-through
- Supplemental Services :
 - Internal Call (only for Debug Usage)
 - Call Hold/Retrieve/Waiting
 - Call Waiting with Caller ID*
 - Call Transfer
 - Call Forwarding (Always, Busy and No Answer)
 - Call Barring (Incoming/Outgoing)
 - DND (Do Not Disturb)
 - MWI (Message Waiting Indicator) (RFC-3842)
 - Hotline
 - ZRTP
- PSTN Loop-through When Power Failure
- Dial Plan :
 - Phone Book • Digit Map • Call Barring
 - Regional

Hardware Interface

- 2 x 1000Base-TX, RJ-45 (WAN1/WAN2) or 1 x Optical Fiber WAN, 100/1000Mbps SFP (Vigor2925FVn)
- 5 x 10/100/1000Base-TX LAN, RJ-45 Configurable Physical DMZ on Port1
- 2 Detachable Antennas (n model)
- 3 Detachable Antennas (n-plus model)
- 2 x FXS + 1 x FXO, RJ11 (V model)
- 2 x USB Host 2.0 (for Printer/3G USB Modem /USB Disk)
- 1 x Factory Reset Button
- 1 x Wireless On/Off/ WPS Button

	VoIP	WLAN	SFP
Vigor2925 FVn(Project)	●	2.4 GHz	●
Vigor2925 Vn-plus	●	2.4/5 GHz	
Vigor2925 Vn	●	2.4 GHz	
Vigor2925 n-plus		2.4/5 GHz	
Vigor2925 n		2.4 GHz	
Vigor2925			

Vigor2925 Series Dual WAN Security Router



- Support IPv6 & IPv4 network
- Dual Gigabit Ethernet WAN port for failover and load-balancing
- 5 x Gigabit LAN ports with multiple subnets
- 2 USB 2.0 ports for 3G/4G mobile, FTP server and network printers
- Object-based SPI Firewall and CSM (Content Security Management) for network security
- VLAN for secure and efficient workgroup management
- 50 VPN tunnels with comprehensive secure protocols (10 SSL VPN options)
- VPN load-balancing and backup for site-to-site applications
- Supports Smart Monitor Traffic Analyzer (50-nodes)
- Concurrent dual-band 802.11n WLAN (2.4G/5G) (n plus & Vn plus models only)
- VoIP with for cost-effective communication (Vn plus model only)
- Flexible Network Management

Vigor2925 Series is the IPv6 ready dual WAN broadband security firewall router. It ensures the business continuity for today and the future IPv6 network. Its two gigabit Ethernet WAN port can accept various high-speed Ethernet-based WAN links via FTTx/xDSL/Cable. The 2 USB ports are for 3G/4G LTE mobile broadband access. With the multi-WAN accesses, Vigor2925 routers support bandwidth management functions such as failover and load-balancing, making them ideal solutions for reliable and flexible broadband connectivity for the small business office.

The specifications cover many functions that are required by modern day businesses, including secure but easy to apply firewall, comprehensive VPN capability, Gigabit LAN ports, USB ports for 3G/4G mobile dongles, FTP servers and network printers, VLAN for flexible workgroup management, and much more.

Dual Gigabit Ethernet WAN port for failover and load-balancing

The Gigabit Ethernet WAN ports cater for any type of Internet access, including FTTx, xDSL and Cable fitting your local infrastructure. You can then use both WAN 1 and WAN 2 for failover, ensuring that you will always have an access to the Internet even if one of the WAN fails, or for load-balancing so the 2 WANs share Internet traffic requirements of your organization.

2 USB 2.0 ports for 3G/4G mobile, FTP drive and network printers

The two USB ports can be used for the connection of 3G/4G mobile broadband dongle, FTP drive and network printers. A 3G/4G mobile broadband connected to one of the 2 USB ports can be used as a second WAN for bandwidth management. The USB WAN interface can also be the primary access if the local fixed line service hasn't been deployed yet. You can have 2 USB 3G/4G dongles connected to the USB ports, and assign one of these (WAN 3) to be the primary access and the other (WAN 4) as the fail-over back-up. And, you have the flexibility to convert back to fixed line services when these become available.

Object-based SPI Firewall for network security

Like all DrayTek routers, Vigor2925 Series supports Object-based SPI firewall and CSM (Content Security Management). The firewall allows setting of Call/Data Filters and DoS/DDoS prevention, whereas the CSM covers IM/P2P/Protocol filter, URL Content Filter and Web Content Filter. With Objects settings, you can pre-define objects or groups for IP, service type, keyword, file extension, etc., and mix these with the Time Scheduler or the VLAN groups as required. Altogether this gives you peace of mind whether you are guarding a complicated network or a small office.

50 VPN tunnels; hardware based with comprehensive secure protocols

Up to 50 VPN tunnels are supported, each can be set to IPsec/PPTP/L2TP/L2TP over IPsec protocols, with hardware encryption of AES/DES/3DES. This level of VPN capability covers the requirements of most businesses for secure inter-office and remote data accessing. For the site-to-site application, Vigor2925 Series offers VPN load-balancing & backup to deliver the high performance and reliable remote access. For client-to-site, remote dial-in users can use up-to 10 SSL VPN tunnels to avoid the local network infrastructure limitation.

VLAN for secure and efficient workgroup management

Not only with 5 x Gigabit LAN ports for the needs of unified communication applications, such as CRM server, FTP server, Mail server, the Vigor2925 Series has the comprehensive VLAN function for management. The VLAN functions allow 5 subnets to be allocated for multiple workgroups. When combined with the NAT and firewall functions, you can design corporate network groups in terms of traffic, security level, priority settings, etc. Applications such as VoIP, IPTV and Wireless SSID can also be integrated into VLAN tags and firewall objects, giving you the maximum flexibility in designing workgroups for your organization.

Supports SmartMonitor traffic report software

Vigor2925 series routers support Smart Monitor, DrayTek's proprietary network traffic reporting software, for up to 50 users. This software monitors all incoming and outgoing network traffic, categorizes these into various activity and data types and provides statistics in various report types, so network administrators can monitor network activities for planning and/or fault locating purposes.

Working with Smart Monitor Traffic Analyzer



Timeline of employee's every network activity

Concurrent Dual-band 802.11n WLAN (2.4G/5G)

Vigor2925n plus and Vigor2925Vn plus have a built-in IEEE 802.11n WLAN Access Point with concurrent dual-band (2.4G/5G). They can allow the essential applications to use the less interference band (e.g. 5G). The Wi-Fi access is also protected by security and encryption protocols, including WEP/WPA/WPA2, MAC Address Control, Multiple SSID, Wireless LAN Isolation, Wireless VLAN* and 802.1x Authentication. The Wireless Rate Control function allows connection rates for each network device to be individually managed as required. The WMM (Wi-Fi Multi-Media)* function allows setting of priority levels for various applications: voice, video, data, etc., so time-critical applications can be assigned higher priority levels. Furthermore, WDS (Wireless Distribution System) function allows you to extend the wireless coverage distance easily.

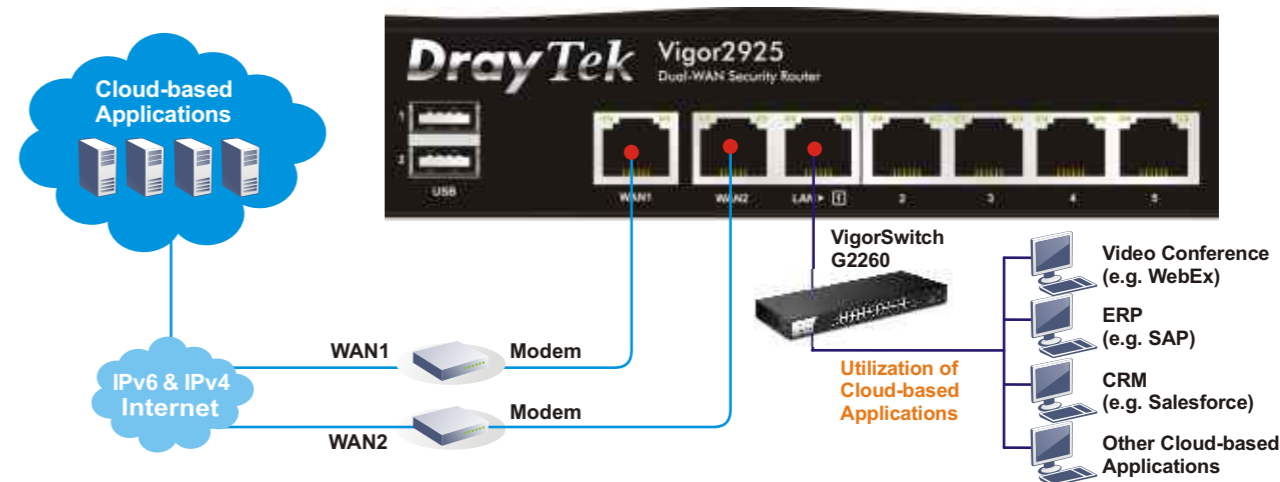
Cost-effective VoIP feature

The VoIP QoS feature is available in the all Vigor2925 Series. It ensures the VoIP packets with highest priority and desired bandwidth to make crystal-clear calls. In line with the concept of Internet covering all aspect of communication requirements, Vigor2925Vn plus has 2 FXS ports and a Line port, and supports many supplemental services. You can connect 2 analogue telephones to the 2 FXS ports, and the PSTN line to the Line port. Vigor2925Vn+ supports 12 SIP (Session Initiation Protocol) registrations through Internet or with the traditional PSTN line (for instance, in case of an electricity blackout and subsequent loss of power to the router itself).

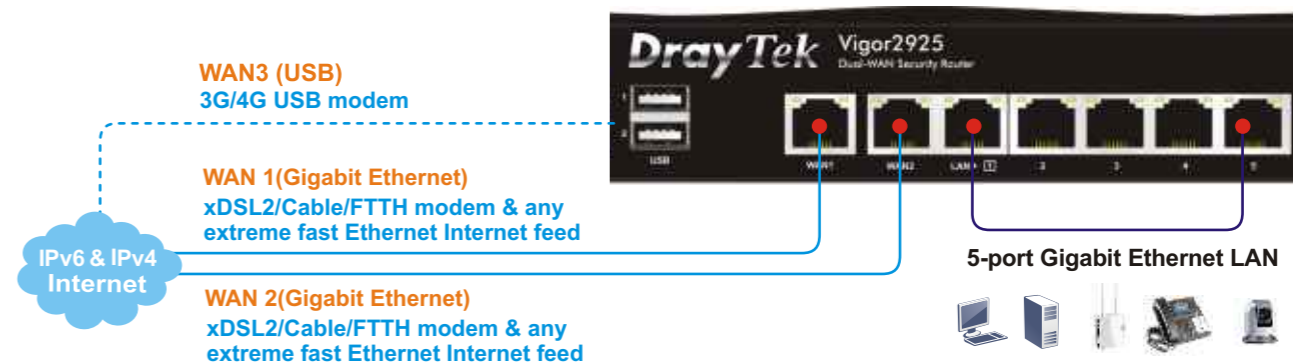
Flexible Network Management

Like all DrayTek routers, Vigor2925 Series routers support comprehensive network management functions. For example, you can set username/password and directory/file access privilege for individual users as required. There are also routing/network tables, system log, debugging utilities, etc., making network administrators' jobs easy. Other management features include SNMP, TR-069 and TR-104. TR-069 can be utilized with DrayTek's VigorACS SI management software to remotely monitor and manage the Vigor2925 Series.

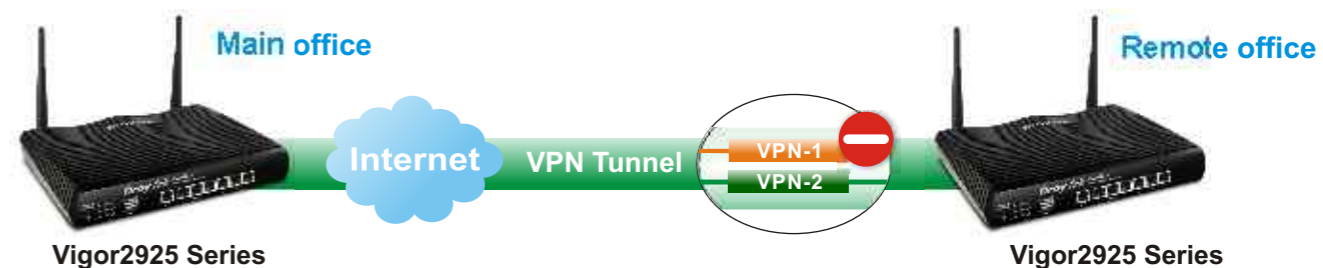
Cloud-based Business Applications Utilization



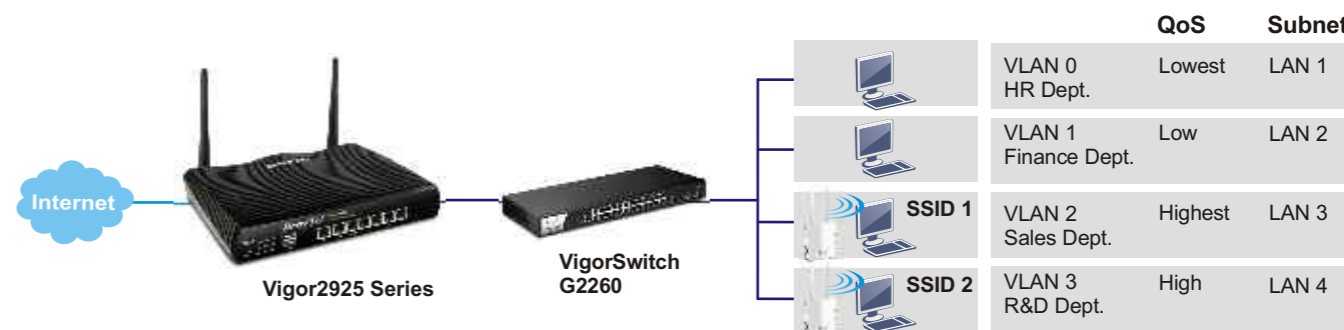
Vigor2925 Series WAN/LAN interface



Secured networking



VLAN for secure



* Firmware Upgradeable